



Auditoria Services
design • manufacture • install



Removable and Portable Seating



Introduction

About Auditoria Services Ltd.

Auditoria Services Ltd. have been designing, manufacturing and installing spectator seating from Rotherham, South Yorkshire, since 1977. Still family owned and now in its second generation, we are committed to investing in our workforce, producing everything in house, sourcing materials locally and placing importance on quality and customer satisfaction. Our team are here to support you through every stage of your project.

DESIGN

With nearly 50 years' experience in the industry and thousands of successful projects to draw from we have a depth of knowledge that is the envy of our industry. We create bespoke seating solutions with the latest CAD technology, providing customers with 2D and 3D visuals of their seating. Our customisable tried and tested ranges offer reliability, safe operation, long lifetime expectancy and low operational costs.

MANUFACTURE

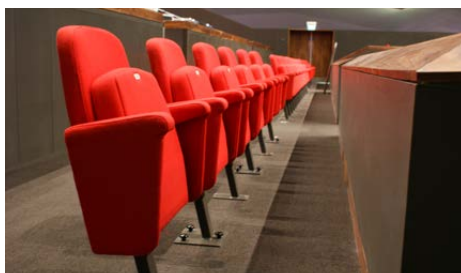
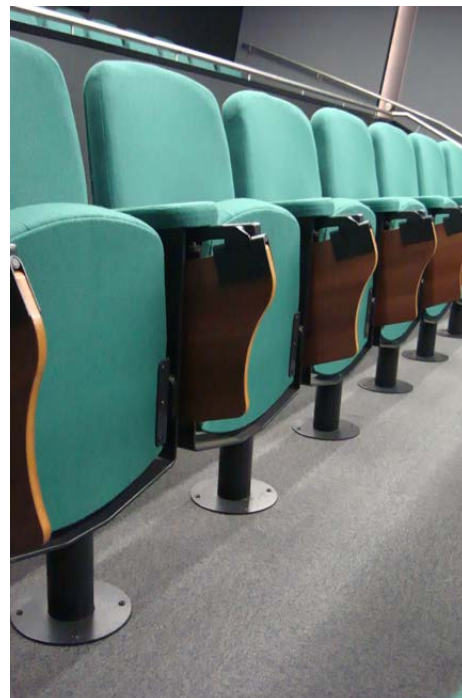
We continually invest in the latest technology; constantly improving our designs and processes. Sourcing over 70% of raw materials locally and manufacturing everything under one roof gives us complete control, from initial concept and design, to installation and handover.

INSTALL

We pride ourselves in some of the best installers in the UK who place the utmost importance in customer satisfaction and quality. We take the safety of our workforce and those working around them seriously and are proud to have won awards and recommendations for our approach to Health and Safety.

SERVICING

Whilst our seating is designed to require minimal maintenance, our dedicated service team are always on hand for parts, servicing or to answer questions about any of our cinema, retractable, lecture theatre or theatre seating installs.



Removables and Portables

About Our Removable and Portable Range **3-4**

Beam Mounted Removable Seating

Portable and Removable Seating **5-8**

Clamp Mounted Removable Seating

Portable and Removable Seating **9-12**

Disk Mounted Removable Seating

Portable and Removable Seating **13-16**

Grid System Portable Seating

Portable and Removable Seating **17-20**

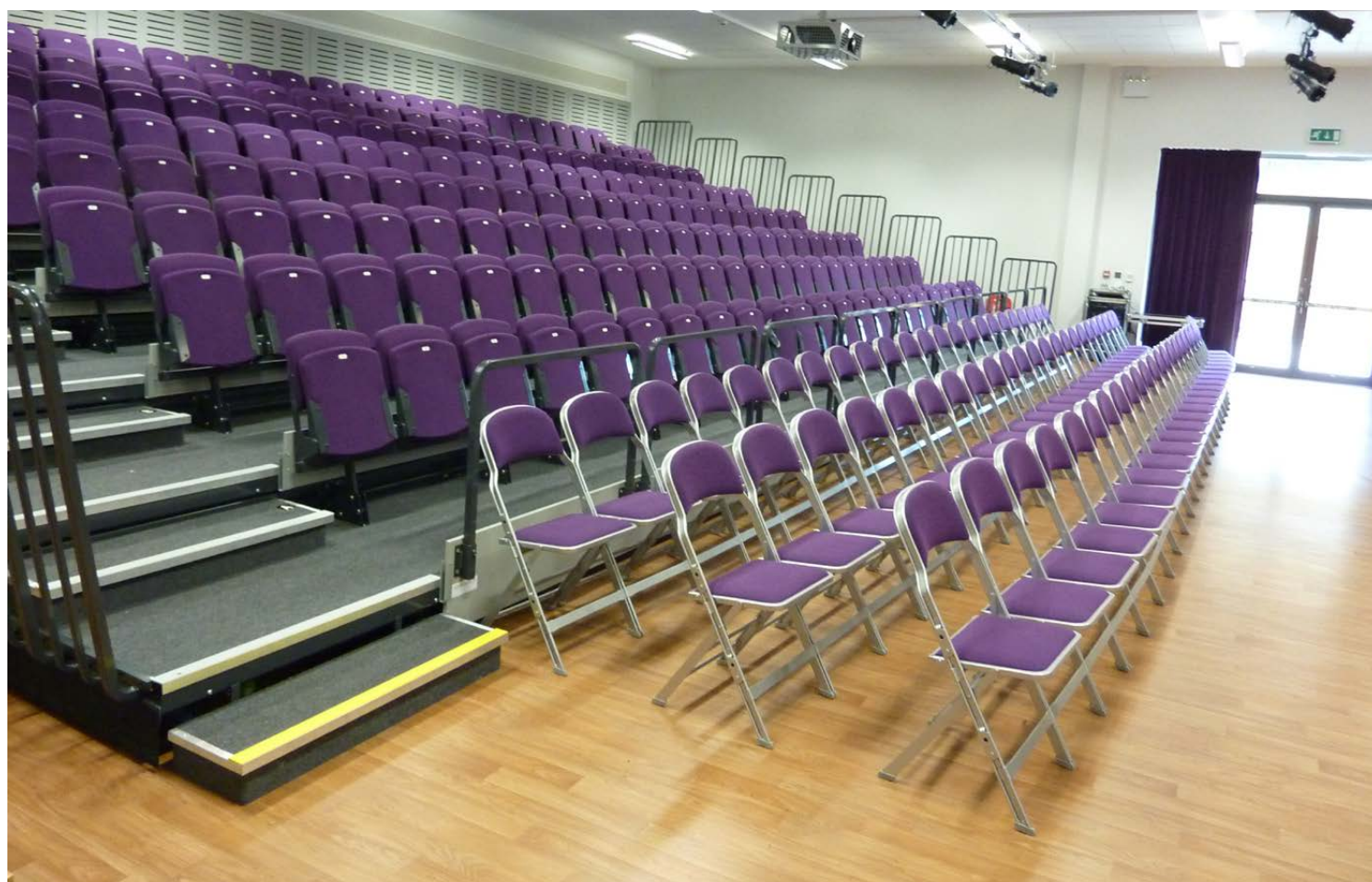
Folding Seating Portable Seating

Portable and Removable Seating **21-26**

Removables and Portables

About Our Removable and Portable Range

Our portable and removable chairs provide a quick and flexible solution to venues where permanent seating is not possible, and can be used on their own or to complement any existing Auditoria seating to increase capacity. We can customise any of our designs to fit your space, seating layout or storage requirements whilst offering various temporary fixing options, arms and bespoke storage trolleys.



Removables and Portables

Removable and Portable Seating Range



Beam Mounted



Floor Clamped



Floor Disk Mounted



Grid System



Folding Seating



Beam-Mounted Seating Portable Seating

Beam-Mounted Specification

Technical Information

BEAM-MOUNTED SEATING

Our beam-mounted removable chairs are installed as a single or multi seating option, and are held in place via clamps over an end foot bar using a hand wheel or temporary bolt to secure.

KEY FEATURES

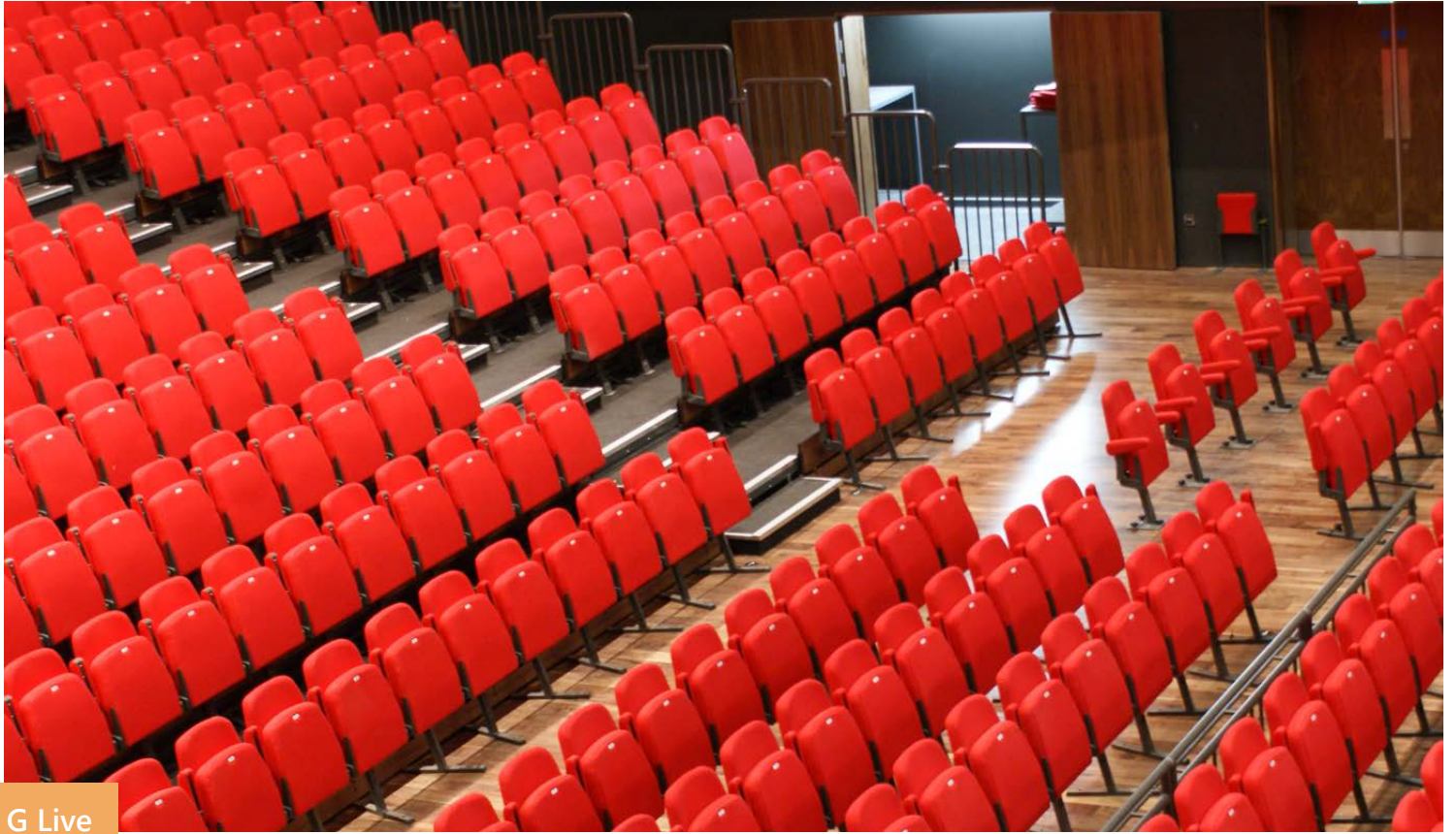
- Fully Upholstered
- Easy to Add or Remove
- Available with or Without Arms
- Available with Writing Tablets
- Choice of Seating Style from Applicable Standard Ranges
- Choice of Fabrics and Colours



Guildford Civic Hall

Beam-Mounted Seating

Removable and Portable Seating



G Live



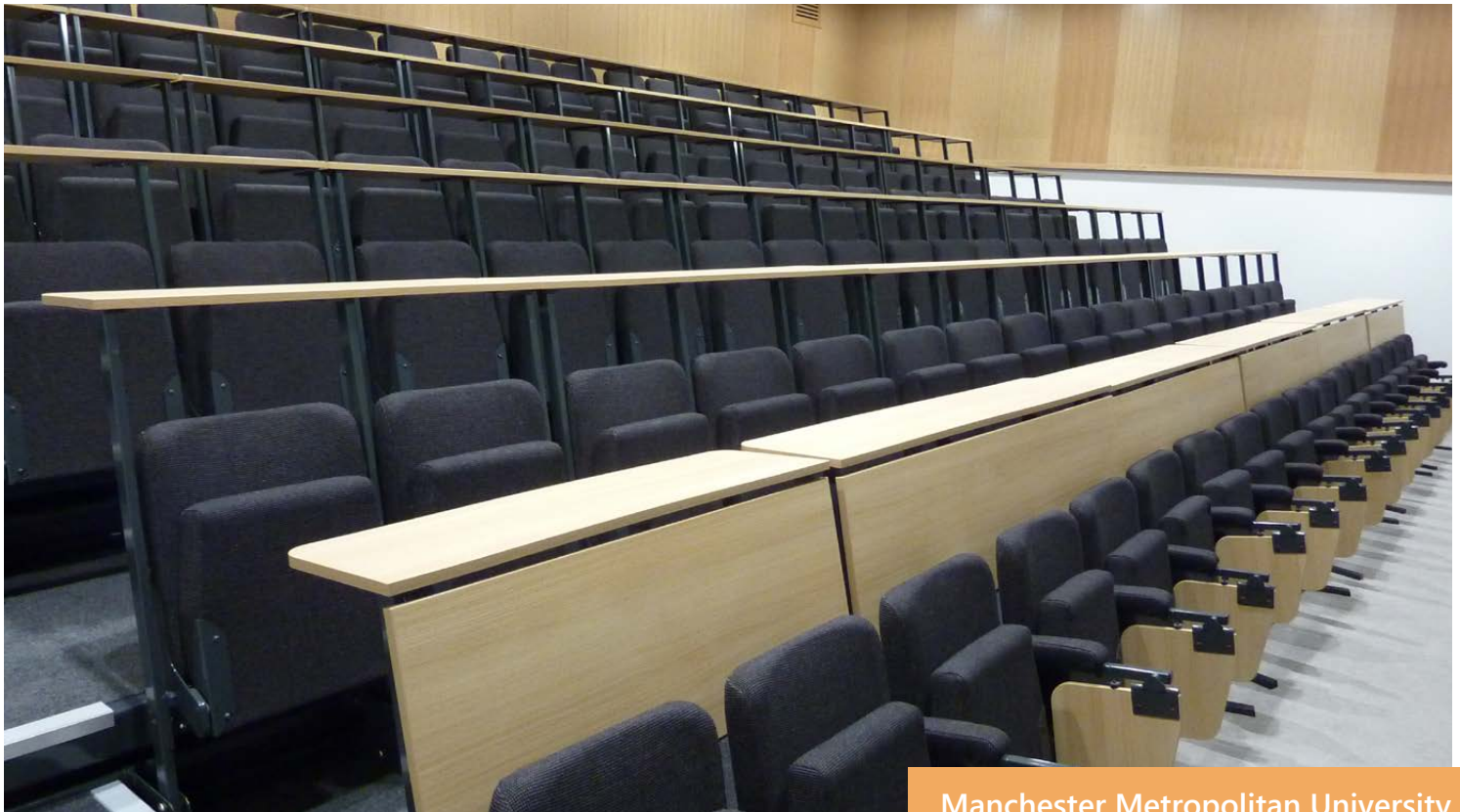
British American Tobacco - Southampton

Beam-Mounted Seating

Removable and Portable Seating



Sale Town Hall



Manchester Metropolitan University



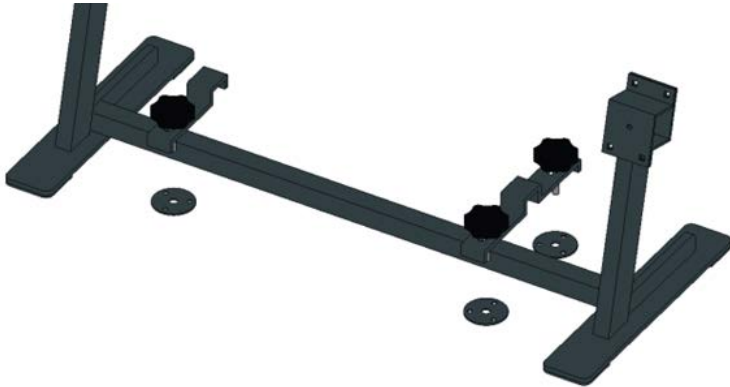
Floor Clamped Seating Portable Seating

Clamp Mounted Specification

Technical Information

PRODUCT SPEC

Our clamp-mounted removable chairs are installed as a single or multi seating option, and are held in place via clamps over a central bar using a hand wheel or temporary bolt to secure.



KEY FEATURES

- Fully Upholstered
- Easy to Add or Remove
- Available with or Without Arms
- Choice of Seating Style from Applicable Standard Ranges
- Choice of Fabrics and Colours



Haymarket Theatre

Clamp Mounted Seating

Removable and Portable Seating



Haymarket Theatre

Clamp Mounted Seating

Removable and Portable Seating



East Riding Theatre



Disk Mounted Removable Seating

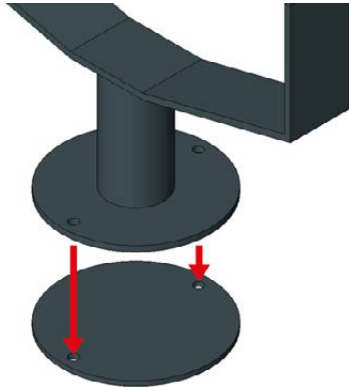


Disk Mounted Specification

Technical Information

PRODUCT SPEC

Our disk-mounted removable systems are installed as a single chair seating option, and are secured using a hand wheel or temporary bolt. These seating banks are attached to recessed floor flush plates for stability through the chair's footplate.



KEY FEATURES

- Fully Upholstered
- Easy to Add or Remove
- Available with or Without Arms
- Available with Writing Tablets
- Choice of Seating Style from Applicable Standard Ranges
- Choice of Fabrics and Colours



G Live

Disk Mounted Seating

Removable and Portable Seating



G Live



Pinderfields Education Centre

Disk Mounted Seating

Removable and Portable Seating



University of York



Grid Seating Portable Seating

Grid-System Specification

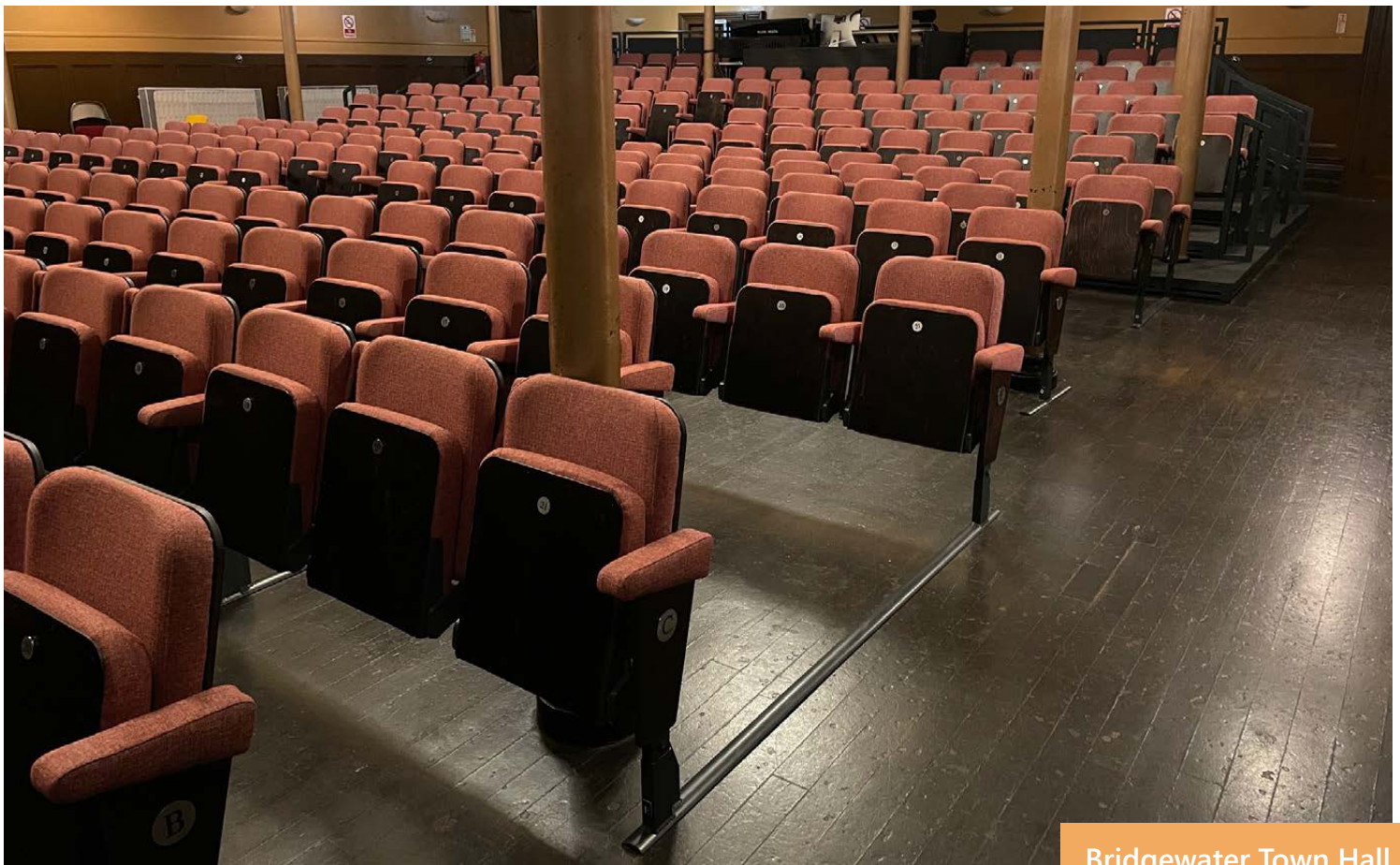
Technical Information

GRID-SYSTEM PORTABLE SEATING

Our grid-system portable chairs are supplied as a multi seating option and benefit from being set up quickly on any flat surface by simply slotting the chair legs into configured floor bars.

KEY FEATURES

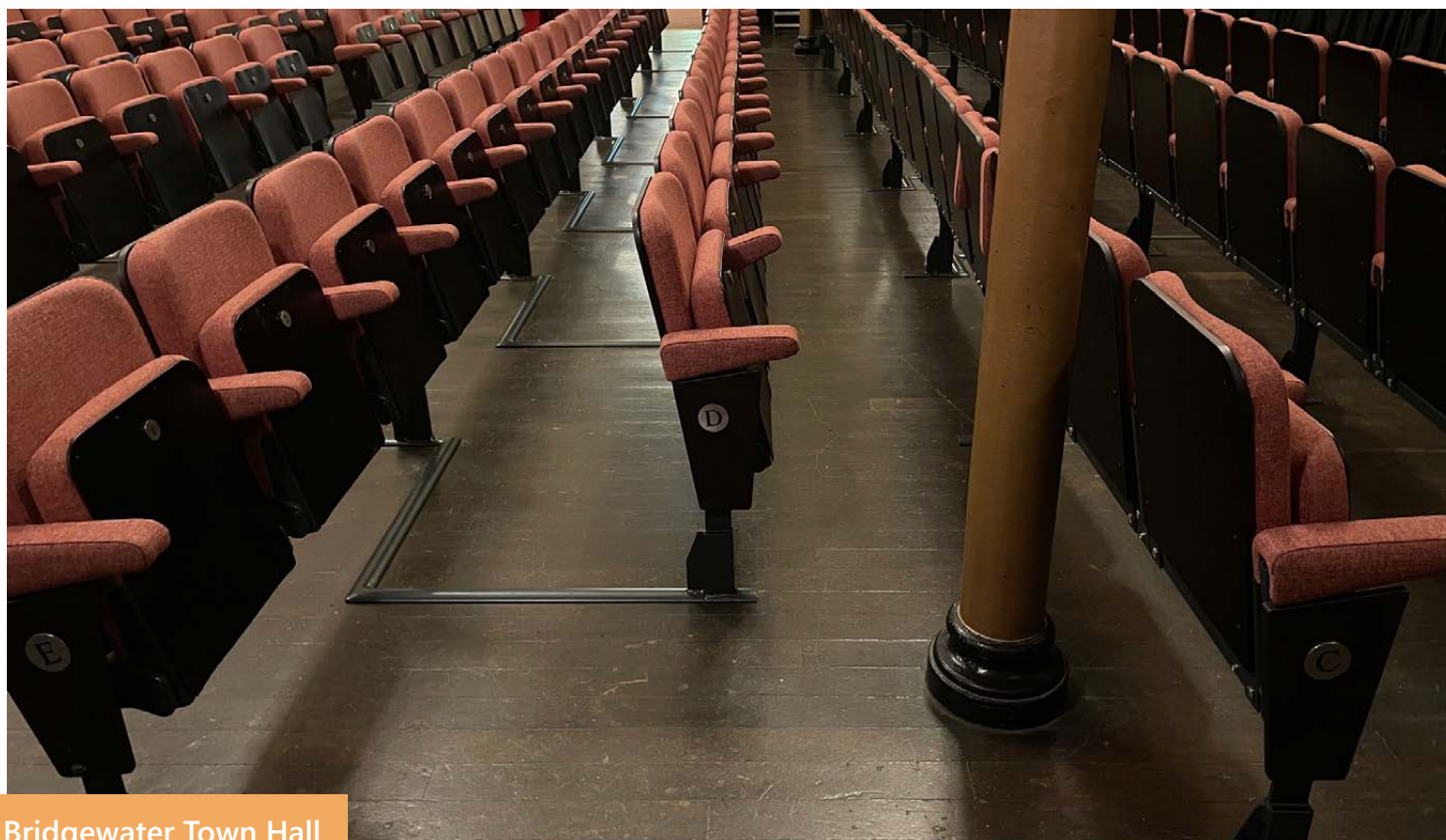
- Fully Upholstered
- Easy to Add or Remove from any Flat Surface
- Available with or Without Arms
- Choice of Seating Style from Applicable Standard Ranges
- Choice of Fabrics and Colours



Bridgewater Town Hall

Grid-System Seating

Removable and Portable Seating



Bridgewater Town Hall



Malvern Theatres

Grid System Trolley

Technical Information

GRID-SYSTEM TROLLEY

Our Bespoke Grid System Trolleys are supplied as an easy storage and transport unit for the Grid system seating. Designed to efficiently stack a large number of portable chairs and equipped with swivel casters making them easy to manoeuvre.

KEY FEATURES

- Easy to Manoeuvre
- Slimline Design to Take up Minimal Space
- Removable Magnetic Seat Numbers Available
- Large Seating Storage Capacity
- Made Bespoke to Fit your Storage Space
- Choice of Paint Finish

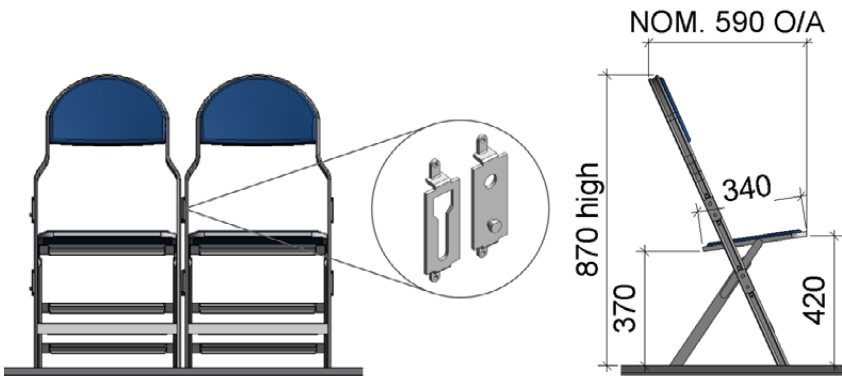




Folding Seating Portable Seating

Folding Seating Specification

Technical Information



PRODUCT SPEC

Our folding portable chairs are supplied as a fully upholstered flexible seating option. This lightweight solution can quickly and easily be stored and set up on any flat surface.



SEAT:

Typically 340mm front to back, Upholstered 40mm thick foam cushion, Supported on a 10mm high-density plywood base.

BACK:

Typically 230mm top to bottom, Upholstered 20mm thick foam cushion, Supported on a 10mm high-density plywood base.

STANCHIONS:

Constructed from 15x15 box section steel and 35mm double rolled flat bar to a thickness of 10mm. All steelwork has a powder-coated finish.

MATERIALS / OPTIONS:

KEY FEATURES

- Lightweight Durable Frame
- Easy to Add or Remove from any Flat Surface
- Slimline Profile when Folded
- Choice of Fabrics and Colours
- Choice of Three Metal Finishes

Folding Seating

Removable and Portable Seating

Folding Seating Models:

2418 USB



3400 FSNF



2444 USB



Newcastle University - Learning and Teaching



Folding Seating

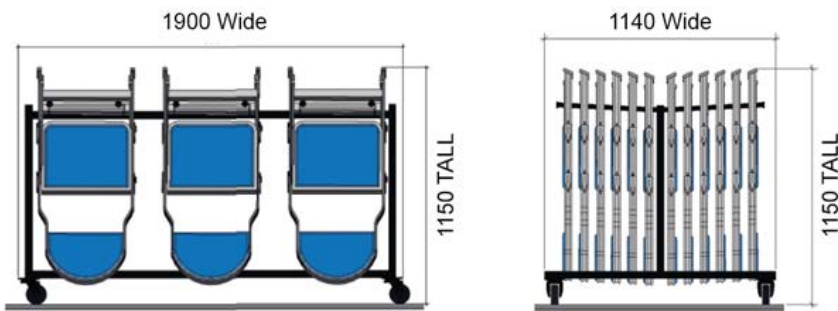
Removable and Portable Seating



Newcastle University - Learning and Teaching

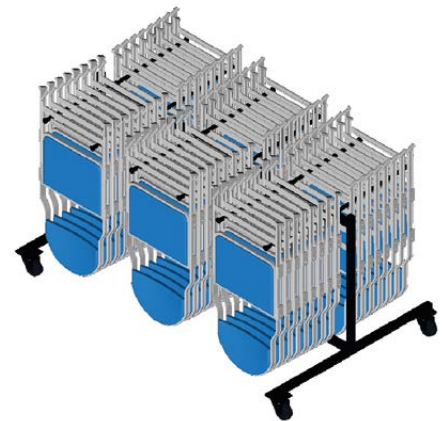
Storage Rack

Technical Information



PRODUCT SPEC

Our folding chair racks are supplied as a single-row height storage and transport unit. Designed to efficiently stack a large number of portable chairs and equipped with swivel casters making them easy to manoeuvre.



SWIVEL CASTOR:

Two easy spin and tow static large diameter wheels constructed of hard rubber and steel frame and fixings for durability.

STANCHIONS:

Constructed from 40x40 box section steel base frame and 25 diameter rounded tube for chair hangers. All steelwork is finished in a black steel powder coating.

CHAIR STORAGE AMOUNT:

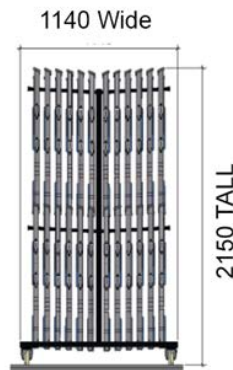
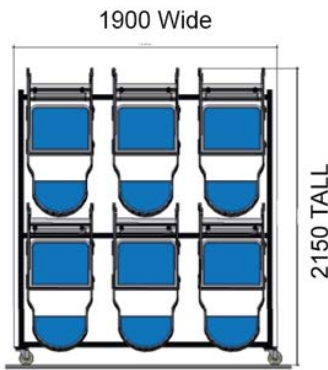
Our folding chair storage Trolleys allow the movement and storage of approximately 48 folding chair in the closed position.

KEY FEATURES

- Easy to Manoeuvre
- Slimline Design to Take up Minimal Space when Storing
- Large Seating Storage Capacity
- Single Hanging Row
- Compatible with all our Available Folding Chair Models

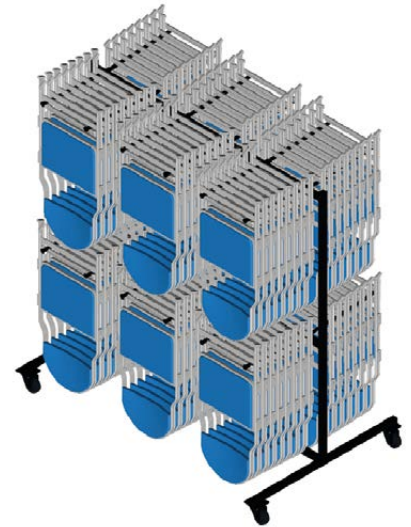
Large Storage Rack

Technical Information



PRODUCT SPEC

Our folding chair racks are supplied as a double-row height storage and transport unit. Designed to efficiently stack a large number of portable chairs and equipped with swivel casters making them easy to manoeuvre.



SWIVEL CASTOR:

Two easy spin and tow static large diameter wheels constructed of hard rubber and steel frame and fixings for durability.

STANCHIONS:

Constructed from 40x40 box section steel base frame and 25 diameter rounded tube for chair hangers. All steelwork is finished in a black steel powder coating.

CHAIR STORAGE AMOUNT:

Our folding chair storage Trolleys allow the movement and storage of approximately 96 folding chair in the closed position.

KEY FEATURES

- Easy to Manoeuvre
- Slimline Design to Take up Minimal Space when Storing
- Large Seating Storage Capacity
- Double Hanging Row
- Compatible with all our Available Folding Chair Models



Auditoria Services
design • manufacture • install



CONTACT US TODAY

Our dedicated sales team are here to support you through every stage of your project.

Simply call or email to discuss or arrange a visit.



Denby Way, Hellaby Industrial Estate, Rotherham, S66 8HR



01709 543 345



sales@auditoria-services.com

www.auditoria-services.com

Denby Way, Hellaby Industrial Estate, Rotherham, S66 8HR



www.basesuk.com



Constructionline
Gold Member



SafeContractor
APPROVED